

Figure 1.

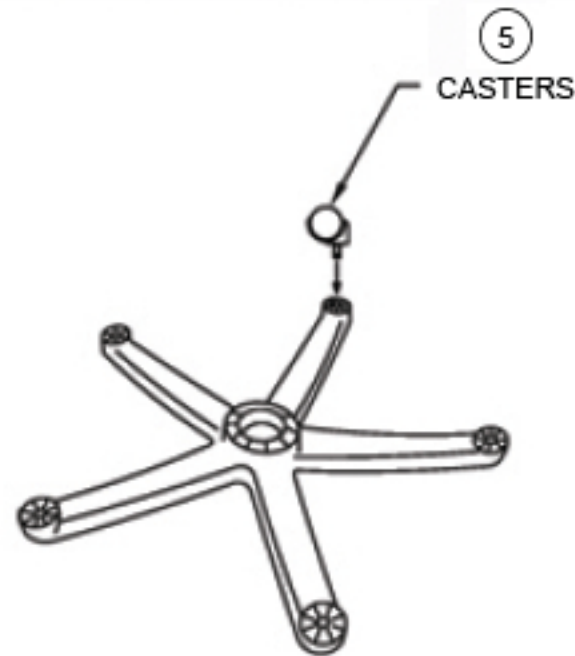
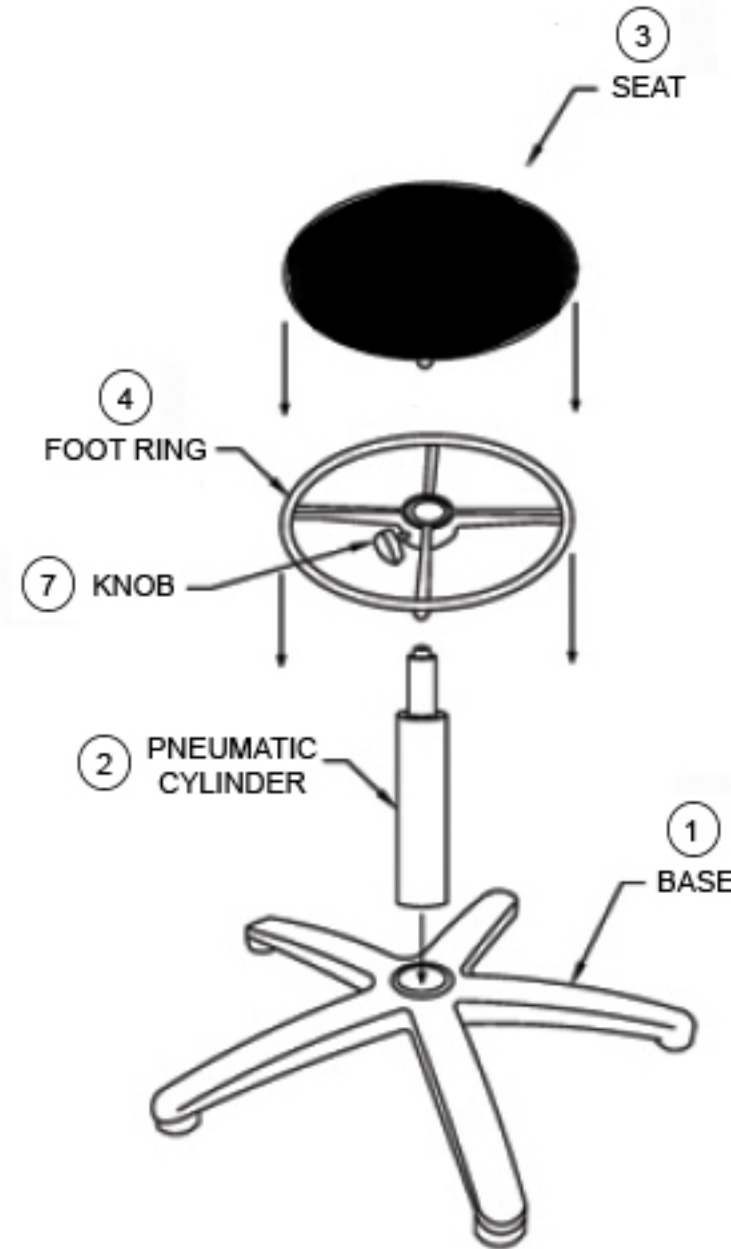


Figure 2.



ASSEMBLY INSTRUCTIONS: STOOLS

- 1) Remove base, pneumatic cylinder, seat, foot ring (if included) and casters from box.
- 2) Place base (1) upside down and insert casters (5) (see figure 1).
- 3) Flip the base so casters are on the floor and insert pneumatic cylinder (2) as shown in (figure 2) into center hole of base with green button up. Lightly push down.
- 4) If you have a foot ring (4) slide it over the pneumatic cylinder (2) and tighten knob (7).
- 5) Align the center hole of the underside of the seat assembly (3) with the top of the pneumatic cylinder (2) and lightly push down. With the weight of your body, carefully sit on the seat. This will press the base, pneumatic cylinder, and seat together.
- 6) To raise the height of your stool simply pull up on the lever on the underside of the seat. No weight or force is required but if you're seated you must take your weight off of the seat.
- 7) To lower the height of your stool you must be seated with your weight on the seat - lift up on lever.
- 8) Get on it! Enjoy!